

**THORN**  
LIGHTING



**CETUS**

Flexible simplicity



Office



Education



Hospitality &  
Residential



# THE HIGHLY FLEXIBLE, FUNCTIONAL AND SUSTAINABLE DOWNLIGHT RANGE

Now available in 3 different sizes, the Cetus downlight range offers a solution that fits. It is so easy to install, modify, and tailor to your needs making it perfect for new installations and for refurbishment projects.

With the Lumen Colour Select (LCS) feature the use of a space can be decided at a later stage in a project, reducing potential delays. Whatever the

space is used for, the lumen output and the colour temperature can be selected after the luminaire has been installed, with just an easy click.

The product also has a big focus on sustainability with efficacy up to 140 lm/W and a lifetime of L80 50 000 hours. In addition, Cetus is aligned with the single light regulations: LED modules and drivers can be replaced by a professional.

**HIGH FLEXIBILITY:**

# THE DOWNLIGHT RANGE THAT ALWAYS FITS

We offer the Cetus in 3 different recess sizes, making it extremely flexible. The range can fit or cover all ceiling cut-outs from 95 to 230 mm, matching any project needs whilst staying aesthetically consistent within a project. The luminaire's design is minimal and comes with a

high performance of up to 3400 lm. With a recessed depth of 100 mm, each size can cover differences in the ceiling cut-outs of 3 – 4 cm. No retrofit-rings are needed, creating no colour differences or installations steps at the ceiling, making the Cetus perfect for refurbishment projects.

**SMALL (S)**  
CUT OUT: 95 – 125 MM



**REDUCED GLARE**

For a <19 UGR, an aluminium reflector can be added as an accessory.

**MEDIUM (M)**  
CUT OUT: 145 – 180 MM



**VARIED REFLECTORS**

White or satin reflectors are available.

### MOUNTING OPTIONS

The Cetus MSF is easy and fast to install thanks to its twist and lock bayonet mount. It can be surface mounted, suspended and it allows for Besa box installation.

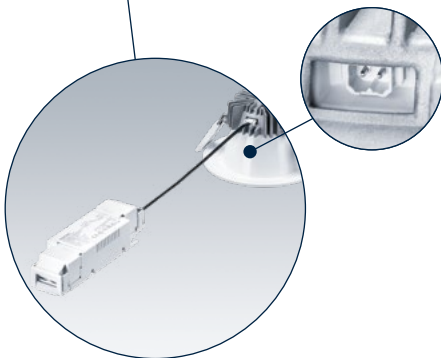


### SURFACE MOUNTED DOWNLIGHT (MSF)

A surface mounted version is available in a compact 180 mm height only, with a high lumen package up to 3200 lm, and with E3 emergency as an option.



### LARGE (L) CUT OUT: 190 – 230 MM



### PLUG & PLAY CONVERTER

A plug & play converter to the luminaire increase ease of installation.



### FAST INSTALLATION

A simple spring installation for ceilings from 1 – 25 mm (S size) and from 1 – 35 mm (M and L size) means an uncomplicated fixing.

# EASILY SELECT YOUR LUMEN OUTPUT AND COLOUR VALUE

Late decision making requires flexibility. With Cetus the use of a space can be defined later or can change over time.

With Lumen Colour Select (LCS) you can choose the colour temperature and the lumen output after the luminaire has been installed.

You can choose between 2 lumen outputs (2000 lm and 3400 lm for M and L, 800 lm and 1500 lm for S)

and between 3 colour temperatures (3000 K, 3500 K, 4000 K).

Using a screwdriver, once the luminaire has been already installed in the ceiling, the lumen or the colour temperature values can be simply changed by rotating the inner center plate, where the preset values are embossed.



**LCS SOLUTION**  
**SIX CHOICES IN ONE LUMINAIRE**

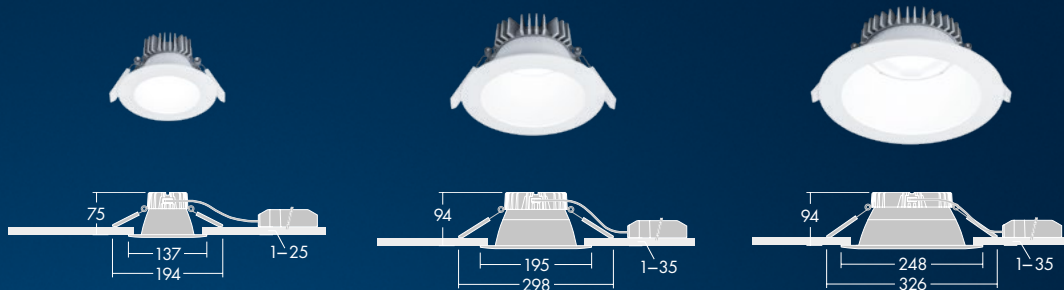
3000 K    3500 K    4000 K

2000 lm / 3400 lm (M and L)  
800 lm / 1500 lm (S)

 Lower lumen output	 3000 K	 3500 K	 4000 K
 Higher lumen output			

DISCOVER

# CETUS



	SMALL	MEDIUM	LARGE
	800 lm, 1500 lm LCS (800 lm / 1500 lm)	1000 lm, 2000 lm, 3200 lm LCS (2000 lm / 3400 lm)	1100 lm, 2200 lm, 3400 lm LCS (2000 lm / 3400 lm)
	Up to 140 lm/W		
	3000 K, 4000 K, Lumen Colour Select (LCS)		
<b>CRI</b>	80		
<b>UGR</b>	< 22 – < 28 (with RWH reflector), < 19 (with additional insert to be ordered as an accessory)		
	IP44, IP54 (with cover), IP43 (MSF version) – all from below		
	White (RWH), Satin Brite (RSB)		
	70°	75°	80°
	-20 to +25 °C (EHF/HFIX)		
	IK06		
	50 000 h L80 @ 25 °C		
	Recessed, Surface mounted (MSF)		
	Ø 95 – 125 mm	Ø 145 – 180 mm	Ø 190 – 230 mm
	≥ 100 mm		
	WL3, WL5, WO3, WO5		
	E3, E3D		
	Fixed output (HF), Fixed output with DC functionality (EHF), DALI Dimmable (HFIX), Corridor function (COR), Bluetooth Wireless (BC)		



# GET IN TOUCH

[www.thornlighting.com/CTU3](http://www.thornlighting.com/CTU3) [www.thornlighting.com/contacts](http://www.thornlighting.com/contacts)



**5 YEAR  
GUARANTEE**

As a globally leading luminaire manufacturer, Thorn Lighting provides a five-year warranty for its complete product range within all European Countries.  
[thornlighting.com/guarantee](http://thornlighting.com/guarantee)

Thorn Lighting is constantly developing and improving its products. All descriptions, illustrations, drawings and specifications in this publication present only general particulars and shall not form part of any contract. The right is reserved to change specifications without prior notification or public announcement. All goods supplied by the company are supplied subject to the company's General Conditions of Sale, a copy of which is available on request. All measurements are in millimetres and weights in kilograms unless otherwise stated.  
10/2021 (INT)

**WE  
MAKE  
LIGHT  
WORK**