


UK Installation instructions
DE Montageanleitung
CZ Montážní návod
DK Monteringsvejledning
EE Paigaldusjuhend

FI Asennusohje
FR Notice de montage
HU Szerelési útmutató
IT Istruzioni di montaggio
LT Montavimo Instrukcijos

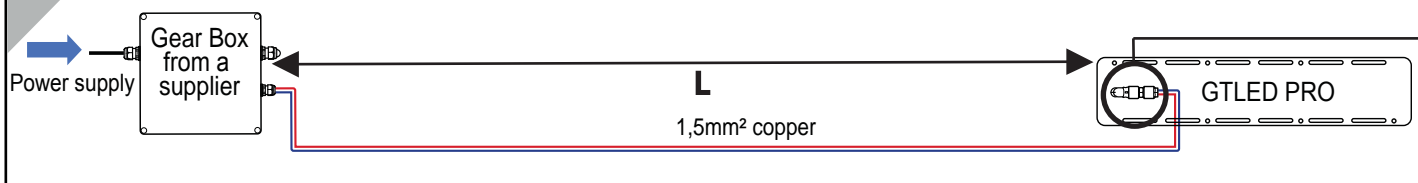
LV Instalācijas instrukcija
NO Monteringsanvisning
PL Instrukcja montażu
SE Installationsanvisning
RU ИНСТРУКЦИЯ ПО МОНТАЖУ

External controlgear shall provide at least double or reinforced insulation between LV supply and out put.

Caution, risk of electric shock
 Danger, risque de chocs électriques 

TYPE : Gear Box (External supplier)

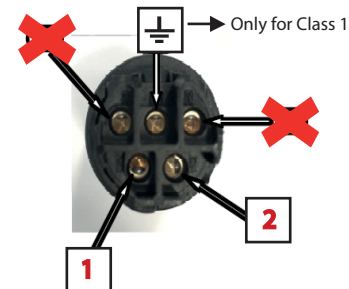
1 Gear Box characteristics



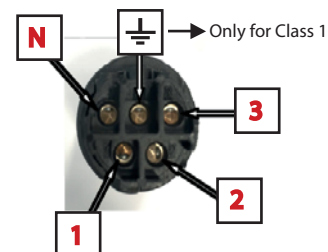
Voltage min and max to power the luminaire for L = 100 m at Ta 25°C				
Type of luminaire	Wiring representation	Current (mA)	U min (Vdc) per channel	U max (Vdc)
GP AL 12 LEDs	A	350	40	450
		500	40	450
		700	40	450
		1050	40	450
GP AL 24 LEDs	A	350	75	450
		500	75	450
		700	75	450
		1050	75	450
GP AL 36 LEDs	A	350	110	450
		500	110	450
		700	110	450
		1050	110	450
GP AL 48 LEDs	A	350	150	450
		500	150	450
		700	150	450
		1050	150	450
GP AL 72 LEDs	B	350	110	450
		500	110	450
		700	110	450
		1050	110	450
GP AL 72 LEDs GB AL	A	350	220	450
		500	220	450
		700	220	450
		1050	220	450
GP AL 144 LEDs	B	350	220	450
		500	220	450
		700	220	450
GP AL 144 LEDs GB AL	A	350	440	450
		500	440	450
		700	440	450
GP AL 216 LEDs	B	350	330	450
		500	330	450
		700	330	450

Wiring representation

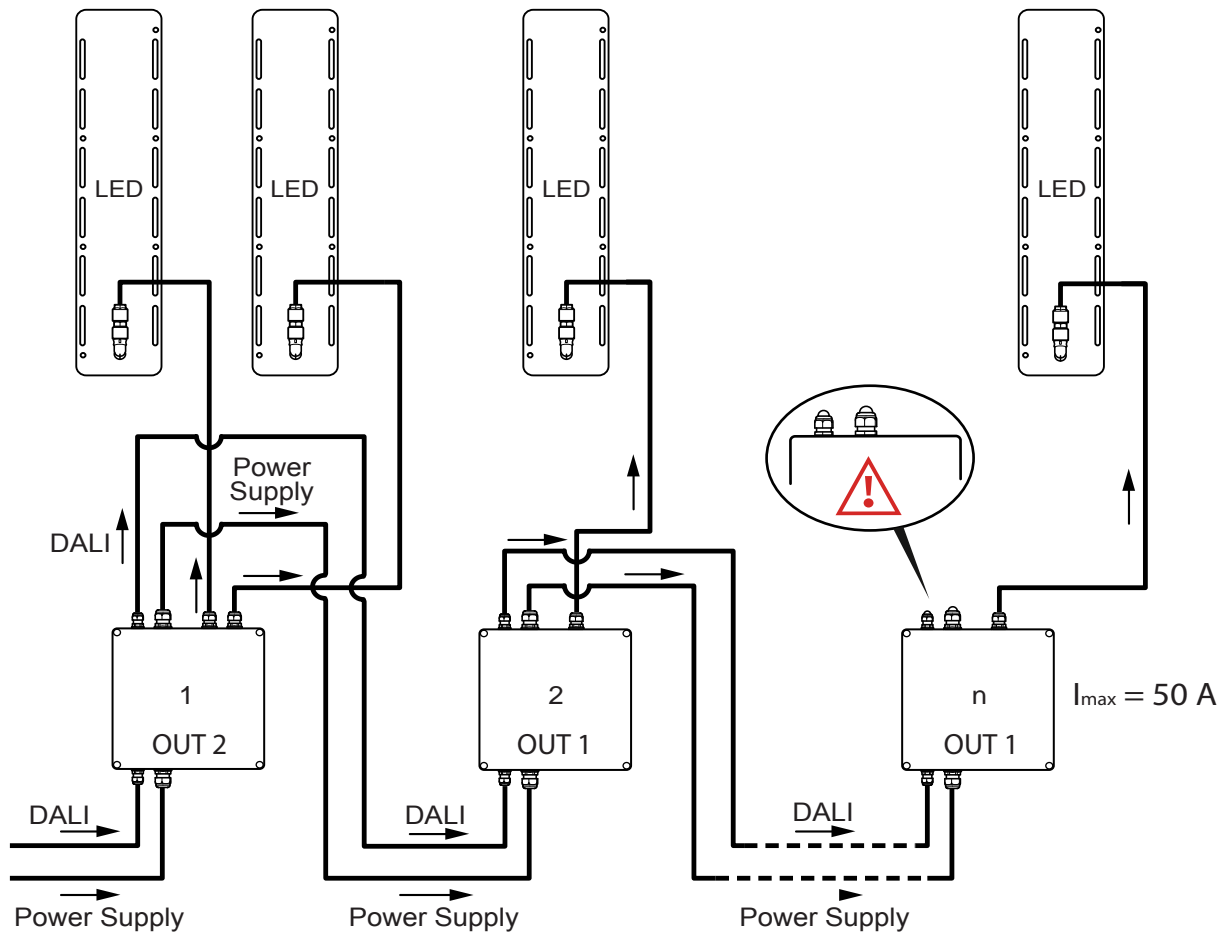
Connector A for luminaire with 1 channel



Connector B for luminaire with 2 channels



1 Through wiring



2 Table MCB 120W & 160W

120W
4.5 Maximum loading of automatic circuit breakers

Automatic circuit breaker type	C10	C13	C16	C20	B10	B13	B16	B20	Inrush current
Installation Ø	1.5 mm ²	1.5 mm ²	2.5 mm ²	2.5 mm ²	1.5 mm ²	1.5 mm ²	2.5 mm ²	2.5 mm ²	I _{max} time
LCA 120W 350-1050mA one4all C PRE OTD	10	14	16	22	5	7	8	11	56A 280µS

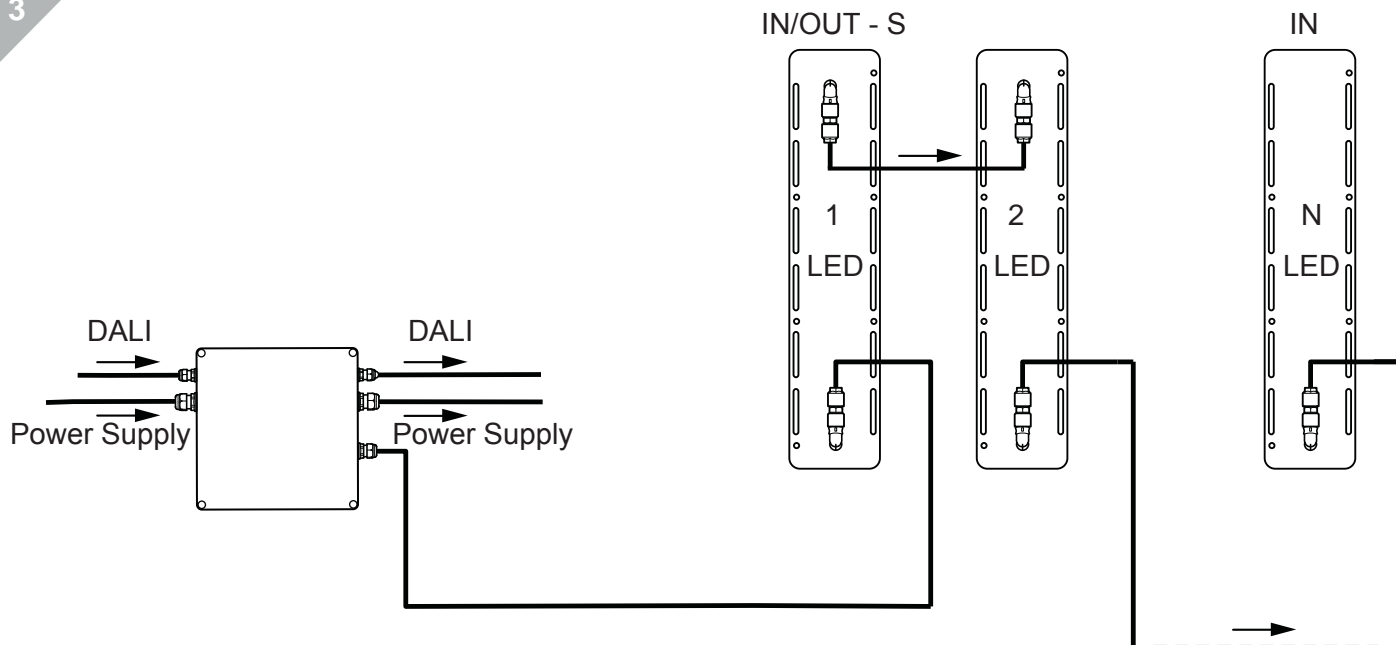
Calculation uses typical values from ABB series S200 as a reference.
Actual values may differ due to used circuit breaker types and installation environment.

160W
4.5 Maximum loading of automatic circuit breakers

Automatic circuit breaker type	C10	C13	C16	C20	B10	B13	B16	B20	Inrush current
Installation Ø	1.5 mm ²	1.5 mm ²	2.5 mm ²	2.5 mm ²	1.5 mm ²	1.5 mm ²	2.5 mm ²	2.5 mm ²	I _{max} time
LCA 120W 350-1050mA one4all C PRE OTD	6	8	10	16	3	4	5	8	84A 255µS

Calculation uses typical values from ABB series S200 as a reference.
Actual values may differ due to used circuit breaker types and installation environment.

3



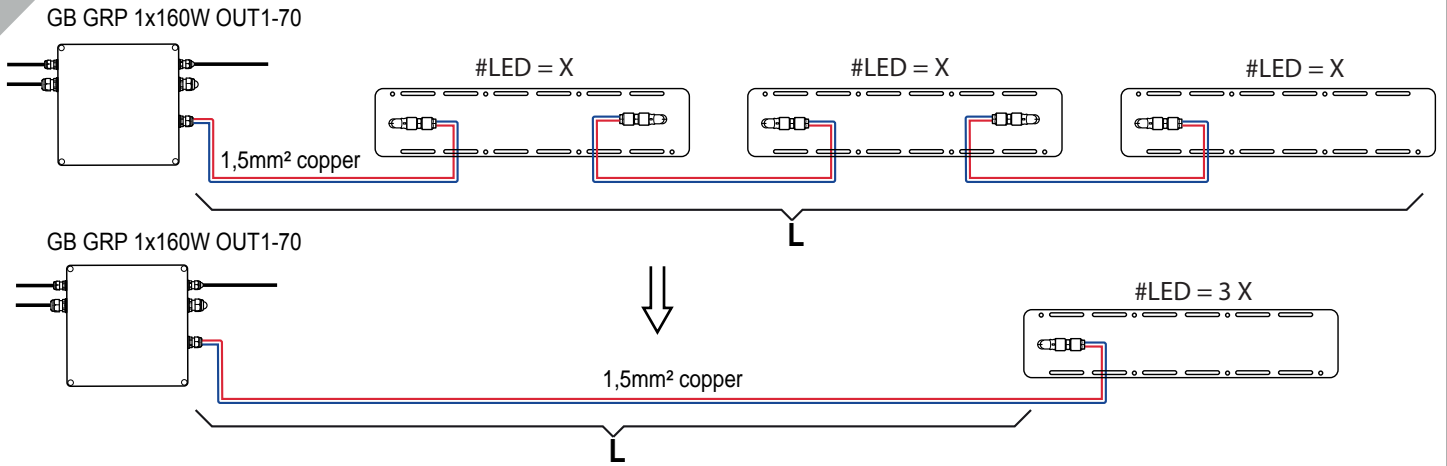
For (N) value, see below table

4 Number of luminaires according to the Gear Box (N)

Code	Désignation	Current	GT LED PRO #LED							
			12L	24L	36L	48L	72L	72 GB AL	144L	216L
96276223	GP GB GRP 1x160W OUT1 1,05A 1,5m CL1	1050mA	4	2		1				
96276387	GP GB GRP 1x160W OUT1-70 W1,5 CL1	700mA	4 to 6	2 to 3	2	1		1		
96276386	GP GB GRP 1x160W OUT1-50 W1,5 CL1	500mA	4 to 8	2 to 4	2 to 3	1 to 2		1		
96276385	GP GB GRP 1x160W OUT1-35 W1,5 CL1	350mA	4 to 8	2 to 4	2 to 3	1 to 2		1		
96276225	GP GB GRP 2x120W OUT2 1,05A 1,5m CL1	1050mA	6		2					
96276393	GP GB GRP 2x120W OUT2-70 W1,5 CL1	700mA	6 to 8	4	2	2				
96276392	GP GB GRP 2x120W OUT2-50 W1,5 CL1	500mA	6 to 12	4 to 6	2 to 4	2		2		
96276391	GP GB GRP 2x120W OUT2-35 W1,5 CL1	350mA	6 to 12	4 to 6	2 to 4	2		2		
96276224	GP GB GRP 2x120W OUT1 1,05A 1,5m CL1	1050mA					1			
96276390	GP GB GRP 2x120W OUT1-70 W1,5 CL1	700mA					1			
96276389	GP GB GRP 2x120W OUT1-50 W1,5 CL1	500mA					1		1	
96276388	GP GB GRP 2x120W OUT1-35 W1,5 CL1	350mA					1		1	
96276226	GP GB GRP 2x160W OUT2 1,05A 1,5m CL1	1050mA	8	4		2				
96276398	GP GB GRP 2x160W OUT2-70 W1,5 CL1	700mA	8 to 12	4 to 6	4	2		2		
96276397	GP GB GRP 2x160W OUT2-50 W1,5 CL1	500mA	8 to 16	4 to 8	4 to 6	2 to 4		2		
96276396	GP GB GRP 2x160W OUT2-35 W1,5 CL1	350mA	8 to 16	4 to 8	4 to 6	2 to 4		2		
96276227	GP GB GRP 2x160W OUT1 0,7A 1,5m CL1	700mA							1	
96276395	GP GB GRP 2x160W OUT1-50 W1,5 CL1	500mA							1	1
96276394	GP GB GRP 2x160W OUT1-35 W1,5 CL1	350mA							1	1

For OUT2 Gearbox, number of luminaires per channel = N/2

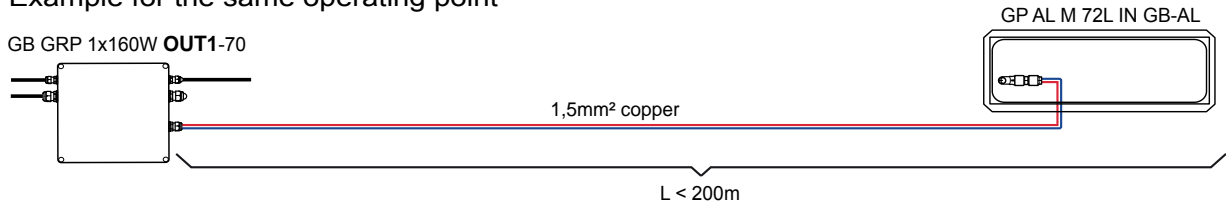
5 Maximum cable distance



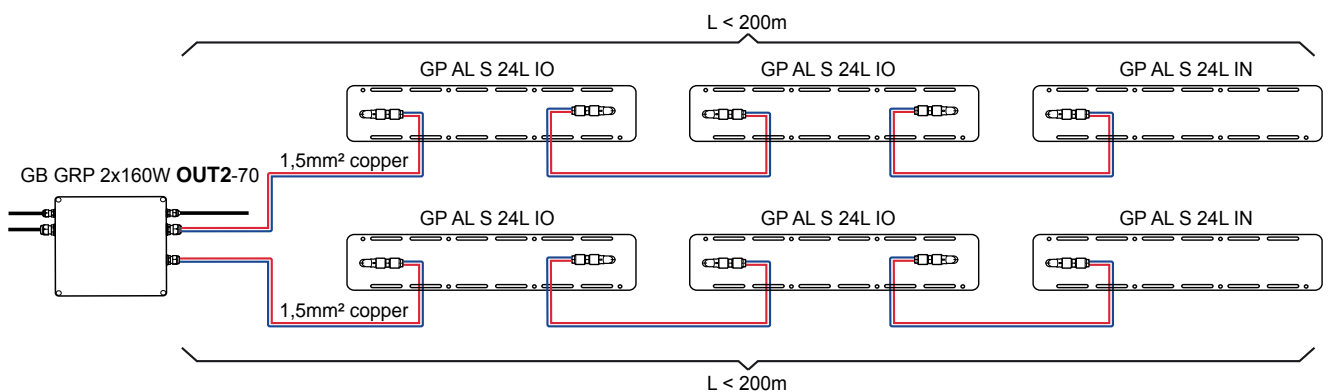
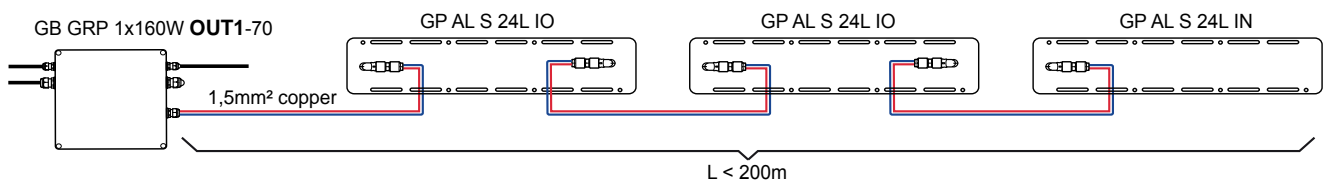
Maximum cable voltage loss: 2% of total led output voltage (typ. @-25°C)
Cable 1,5mm² copper (0,023ohm.mm²/m)

		Maximum cable distance (L value) in meters										
		Type of Gear Box			GT LED PRO #LED							
		GP GB GRP 2xXXXW OUT1	GP GB GRP 2xXXXW OUT2	GP GB GRP 1xXXXW OUT1	12	24	36	48	72	72 GB AL	144	216
160W	GP GB GRP 2x160W OUT2-105	GP GB GRP 2x160W OUT2-70	GP GB GRP 1x160W OUT1-105	23	45	67	91					
	GP GB GRP 2x160W OUT1-70	GP GB GRP 2x160W OUT2-50	GP GB GRP 1x160W OUT1-50	34	67	101	135			200	200	
	GP GB GRP 2x160W OUT1-50	GP GB GRP 2x160W OUT2-35	GP GB GRP 1x160W OUT1-35	46	93	139	185			200	200	200
	GP GB GRP 2x160W OUT1-35			65	130	195	200			200	200	200
	GP GB GRP 2x120W OUT1-105	GP GB GRP 2x120W OUT2-105		23		68			136			
120W	GP GB GRP 2x120W OUT1-70	GP GB GRP 2x120W OUT2-70		34	67	101	135					
	GP GB GRP 2x120W OUT1-50	GP GB GRP 2x120W OUT2-50		46	93	139	185			200	200	
	GP GB GRP 2x120W OUT1-35	GP GB GRP 2x120W OUT2-35		65	130	195	200			200	200	

Example for the same operating point



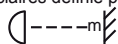
1*72 LED ↔ 3*24 LED



FRANCAIS

- Remplacer toute protection fissurée.
- Les luminaires classe II doivent être installés de façon à ce que la partie métallique ne soit pas en contact avec l'installation électrique connectée à la terre.

ATTENTION: Les luminaires classe I doivent être reliés à la terre.
-Ce luminaire fonctionne à une tension nominale qui doit être coupée avant toute intervention sur l'appareillage.
-Toute modification de cet appareil est interdite.
-Respecter la distance minimale par rapport aux objets éclairés définie par ce sigle.



SVERIGE

- Ersätta alla spräckta skyddsplåtar.
- Klass II armaturer måste installeras så att nakna metalldelar i armaturen inte är i kontakt med någon elektrisk installation, kopplad till en skyddledare.

VARNING: Klass I armaturer måste vara jordade.
-Denna armatur fungerar med högspänning som måste vara fränslagen före ingripande i driftdonen.
-Alla ändringar i denna armatur är förbjuden.

ITALIANO

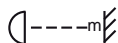
- Sostituire sempre tutte le protezioni danneggiate.
- Gli apparecchi in classe II devono essere installati in modo che le parti metalliche non siano in contatto con apparati elettrici collegati a terra.

ATTENZIONE: Gli apparecchi in class I devono essere collegati a terra.
-Questo apparecchio funziona a tensione nominale, questa deve essere interrotta prima di ogni intervento sul gruppo di alimentazione.
-Ogni modifica dell' apparecchio è proibita.

ENGLISH

- Replace any cracked protective shield.
- Class II luminaires must be installed so that exposed metal work of the luminaire is not in contact with any part of the electrical installation connected to a protective conductor.

WARNING: Class I luminaires must be earthed.
-This luminaire operates at mains voltage which must be switched off before intervention in control gear.
-Any modification to this luminaire is forbidden.
-Lighted objects nearer than the minimal distance in the is forbidden.



DEUTSCH

- Ersetze jede gebrochene Schutzscheibe.
- Schutzklasse II Leuchten müssen so installiert werden, daß berührbare Metallteile nicht mit einem, an dem Schutzleiter angeschlossenen Teil der elektrischen Installation in Kontakt kommen können.

ACHTUNG: Schutzklasse I Leuchten müssen geerdet sein.
-Diese Leuchte wird mit Netzspannung betrieben. Bevor Eingriffe am Vorschaltgerät vorgenommen werden sowie vor Wartung und Installation, ist die Versorgungsspannung abzuschalten.
-Jede Änderung an dieser Leuchte ist verboten.

SUOMI

- Rikkoontunut suojalasi vaihdettava välittömästi uutsen vastaavaan.
- Asennettaessa suojausluokan II valaisinta on peruseristetyin johdon ja kosketeltavien metalliosien välinen kosketus tehokkaasti eristettävä.

VAROITUS: Suojausluokan I valaisin täytyy maadoittaa.
-Verkköjännite on kytkettävä pois ennen valaisimen huoltotoimenpiteitä.
-Valaisimen rakennetta ei saa muuttaa.